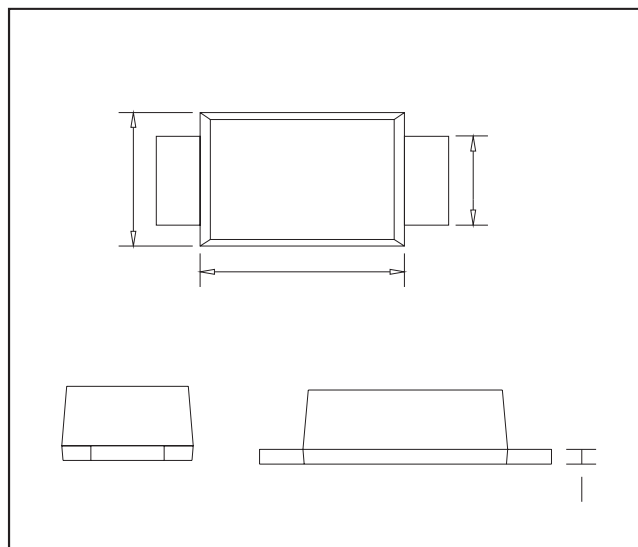


# GCD-523'G7 <CHH?M'B5FF=9F'D=CD9

JC@H5 ; 9'F5B ; 9.'10J' D95?'DI@G9'DCK9F.15\$a K

Low Forward Voltage Drop  
 Guard Ring Construction for Transient Protection Negligible Reverse Recovery Time  
 Very Low Reverse Capacitance

**MECHANICAL DATA**  
 Case: SOD-523 Small Outline Plastic Package  
 Polarity: Color band denotes cathode end  
 Mounting Position: Ay



A5L:A I A F5H-B ; G 5B8 7<5F57H9F=GH=7G

C

Symbol	Parameter	Value	Unit
VR			
IO			
IFM			
IFSM			
PD			
R JA			
Tj			
Tstg			

9 YVhf] WJ ' GdYVY Z] WWh] cb'

Parameter	Symbol	Test conditions	Min	Typ	Max	Unit
Reverse voltage		$\mu$				
Reverse current						$\mu$
Forward voltage						
Total capacitance						

MARKING: S4