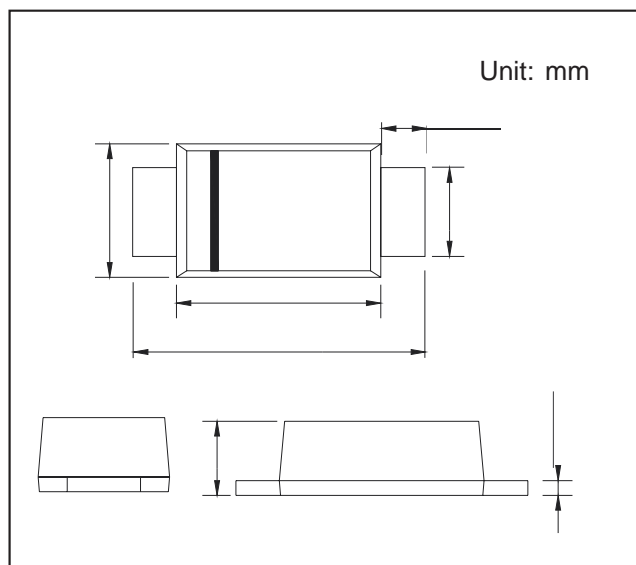


SOD523 High Speed Switching Diode

FEATURES

MECHANICAL DATA

Unit: mm



MAXIMUM RATINGS AND CHARACTERISTICS

Parameter	Symbol	Limit	Unit
Non-Repetitive Peak Reverse Voltage			
DC Blocking Voltage			
Forward Continuous Current			
Average Rectified Output Current			
Non-Repetitive Peak Forward Surge Current @ t=8.3ms			
Power Dissipation			
Thermal Resistance Junction to Ambient			/
Junction Temperature			/
			/

RATINGS AND CHARACTERISTIC CURVES