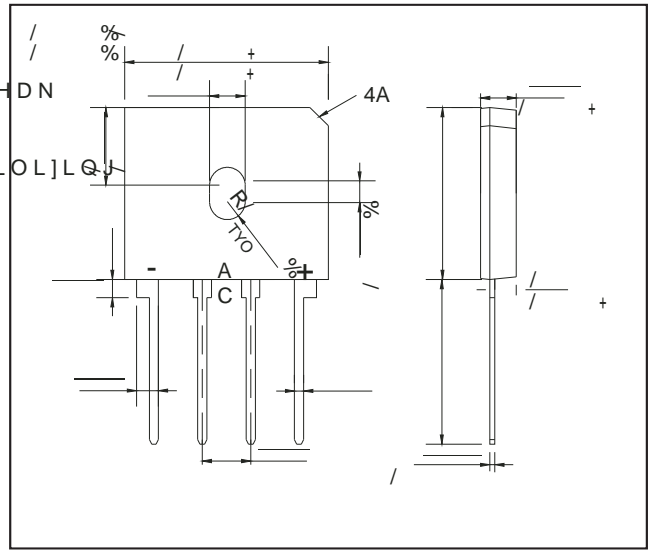


**GBU SILICON BRIDGE RECTIFIER**  
**REVERSE VOLTAGE: )\$ --- %\$00V ` CURRENT: A**

" 6XUJH RYHUORDG UDWLQJ DPSHUJHV SHDN  
 " ,GHDO IRU SULQWHG FLUFXLW ERDUG  
 " 5HOLDEOH ORZ FRVW FRQVWUXFWLRQ XWLOL]LQJ  
 PROGHG SODVWLF WHFKQLTXH  
 " 3ODVWLF PDWHULDO KDV 8 /  
 WKH IODPPDELOLW\ FODVVILFDWLRQ 9

0 (& + \$1 & \$ / ' \$7 \$

" & DVH VW\OH \*%8 SODVWLF PROGHG  
 " ORXQWLQJ SRVWLWLRQ \$Q\  
 " :HLJKW RXQFHV JUDPV



0 \$ ; , 080 5 \$ 7 , 1 \* 6 \$ 1 ' & + \$ 5 \$ & 7 ( 5 , 6 7 , & 6

@ 25°C Ambient Temperature (unless otherwise noted) Single phase, half wave, 60 Hz, resistive or inductive load.  
 For capacitive load, derate by 20%.

& + \$ 5 \$ & 7 ( 5 , 6 7 , & 6	6 < 0 % 2 / * % 8	* % 8	* % 8	* % 8	* % 8	* % 8	* % 8
0D[LPXP 5HFXUUHQW 3HDN 5HYHUVH 9960W DJH	9960W						9
0D[LPXP 506 9ROWDJH	9506						9
0D[LPXP ' & % ORFNLQJ 9ROWDJH	9' &						9
0D[LPXP \$YHUDJH )RUZDUG ZLWK KHDWVLCN 1RWH 5HFWLILHG &XUJHQW ZLWKRXW KHDWVLCN	\$9						\$
3HDN )RUZDUG 6XUDJH &XUUHQW PV 6LQJOH +DOI 6LQH :DYH 6XSHU ,PSRVHG RQ 5DWHG /RDG - (' & 0HWKRG	,)60						\$
0D[LPXP )RUZDUG 9ROWDJH DW \$ ' & 9)	\$ ' & 9)						9
0D[LPXP ' & 5HYHUVH &XUUHQW DW 5DWHG ' & % ORFNLQJ-9ROWDJH	# 7 ,5						X \$
,W 5DWLQJ IRU )XVLQJ W PV	,W						\$ V
7\SLFDO -XQFWLRQ &DSDFLWDQFH 3HU&OH PHQW 1RWH	3HU&OH						S)
7\SLFDO 7KHUPDO 5HVLVWDQFH 1RWH5-&	7H5-&						:
2SHUDWLQJ 7HPSHUDWXUH 5DQJH	7-					WR	
6WRUDJH 7HPSHUDWXUH 5DQJH	767*					WR	

127(6 0HDVXUH DW 0+) DQG DSSOLHG UHYHUVH YROWDJH RI 9 '&  
 'HYLFH PRXQWHG RQ PP PP PP FX SODWH KHDWVLCN

9

\_\_\_\_\_

\_\_\_\_\_

.167\$17\$1(286 )25:\$5' 92/7\$\*( 92/76