

WOM SILICON BRIDGE RECTIFIER

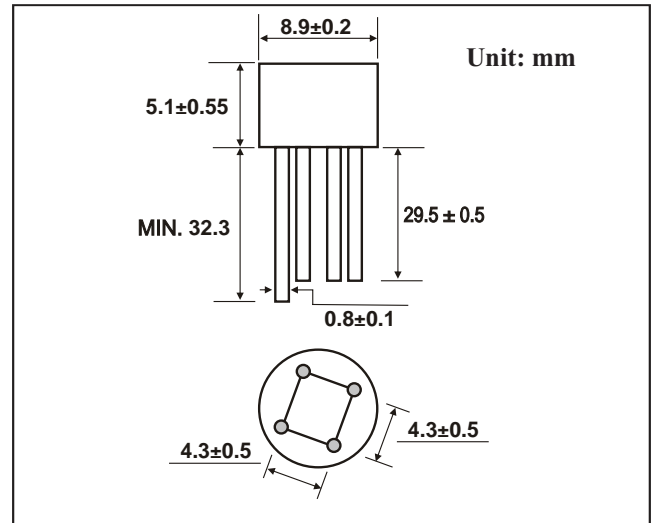
REVERSE VOLTAGE: 50 --- 1000V CURRENT: 1.5A

FEATURES

• High efficiency
 • Low forward voltage drop
 • High surge current capability
 • High reliability
 • Low reverse leakage current
 • Low thermal resistance

MECHANICAL DATA

Dimensions in mm



MAXIMUM RATINGS AND CHARACTERISTICS

@ 25°C Ambient Temperature (unless otherwise noted)

Parameter	RB151	RB152	RB153	RB154	RB155	RB156	RB157	UNITS	
Maximum recurrent peak reverse voltage	V_{RRM}	50	100	200	400	600	800	1000	V
Maximum RMS voltage	V_{RMS}	35	70	140	280	420	560	700	V
Maximum DC blocking voltage	V_{DC}	50	100	200	400	600	800	1000	V
Maximum average forward Output current @ $T_A=55^\circ C$	$I_{F(AV)}$	1.5							A
Peak forward surge current 8.3ms single half-sine-wave superimposed on rated load	I_{FSM}	50.0							A
Maximum instantaneous forward voltage @ 1.5 A	V_F	1.0							V
Maximum reverse current @ $T_A=25^\circ C$ at rated DC blocking voltage @ $T_A=100^\circ C$	I_R	10.0 0.5							A mA
Operating junction temperature range	T_J	- 55 --- + 125							°C
Storage temperature range	T_{STG}	- 55 --- + 150							°C

