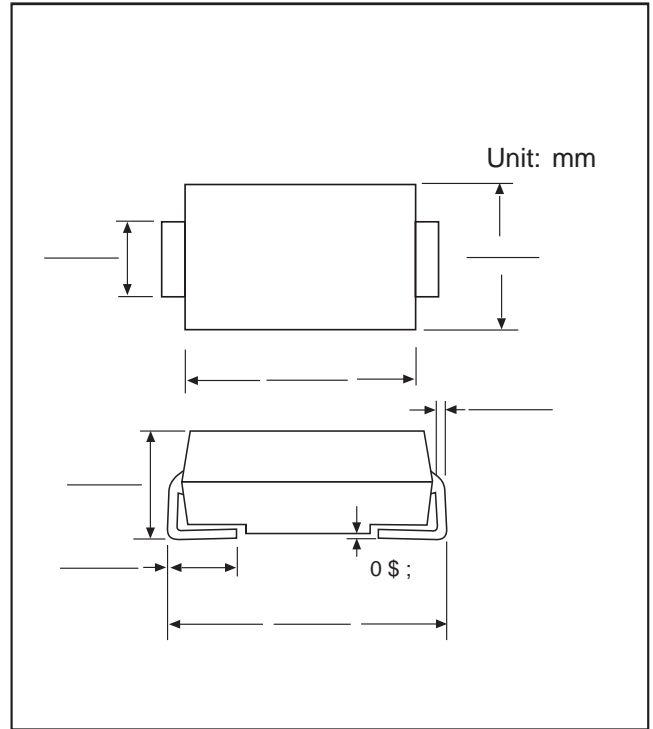


60% 3/\$676,8, & 25 (& 7,), (56

)(\$ 7 8 5 (6
 "Plastic package has Underwriters Laboratory
 Flammability Classification 94V-O Utilizing
 "Metal silicon junction ,majoritycarrier conduction
 "Built-in strain relief
 "For surfacemounted applications
 "Low power loss ,high efficiency,High surge capability
 "High current capability ,Low forward voltage drop
 "For use in low voltage ,high frequency inverters, free
 wheeling and polarity protection applications
 "High temperature soldering guaranteed:260 /10 seconds
 at terminals
 "Component in accordanceto RoHS and
 WEEE (8
 0 (& + \$ 1 , & \$ / ' \$ 7 \$
 "Case: SM %molded plastic body
 "Terminals:Lead solderable per MIL-STD-750,method 2026
 "Polarity:Color band denotes cathode end



0 \$; , 0 8 0 5 \$ 7 , 1 * 6 \$ 1 ' & + \$ 5 \$ & 7 (5 , 6 7 , & 6

f & \$ P E L H G W S H U D X Q Q R H W K H U Z L W H G

TYPE NUMBER		SYMBOL	SS 2	S 6	SS 4	SS 5	SS 6	SS 8	SS 1	SS 20	UNITS
Maximum recurrent peak reverse voltage		V_{RRM}	20	30	40	50	60	80	1 0	200	V
Maximum RMS voltage		V_{RMS}	14	21	28				7	140	V
Maximum DC blocking voltage		V_{DC}	20	30	40	50	60	80	150	200	V
Maximum Average Forward rectified Current 0.375"(9.5mm) lead length		$I_{F(AV)}$.0								A
Peak forward surge current 8.3ms single half sine-wave superimposed on rated load		I_{FSM}	0.0								A
Maximum instantaneous forward voltage at .0 A (Note 1)		V_F	0.5		0.7		0.85		0.9		V
Maximum reverse current at rated DC blocking voltage per diode	@ $T_A=25$	I_R	0.								mA
	@ $T_A=100$		0.0				10.0				
7 \ S L F D O 7 K H U P D O 5 H V L V W D Q F H 1 R P C B A		$R_{\theta JA}$									/ W
Typical junction capacitance (Note 3)		C_J	00								
Storage Temperature		T_{STG}	- 5 ---- + 150								
Operation Junction Temperature		T_j	- 55 ---- + 125								

NOTE: 1.Measured at 1MHz and applied reverse voltage of 4.0V D.C.

2.P.C.B. mounted with 0.2x0.2"(5.0x5.0mm) copper pad areas

5 \$ 7 , 1 * 6 \$ 1 ' & + \$ 5 \$ & 7 (5 , 6 7 , & & 8 5 9 (6

), * 0 \$; , 0 8 0 1 2 1 5 (3 (7 , 7 , 9 (3 (

0.50...g ...g -101.€ & 20
2.5#*qXD à P 3) D à P 8 * 2.5 f * q)

