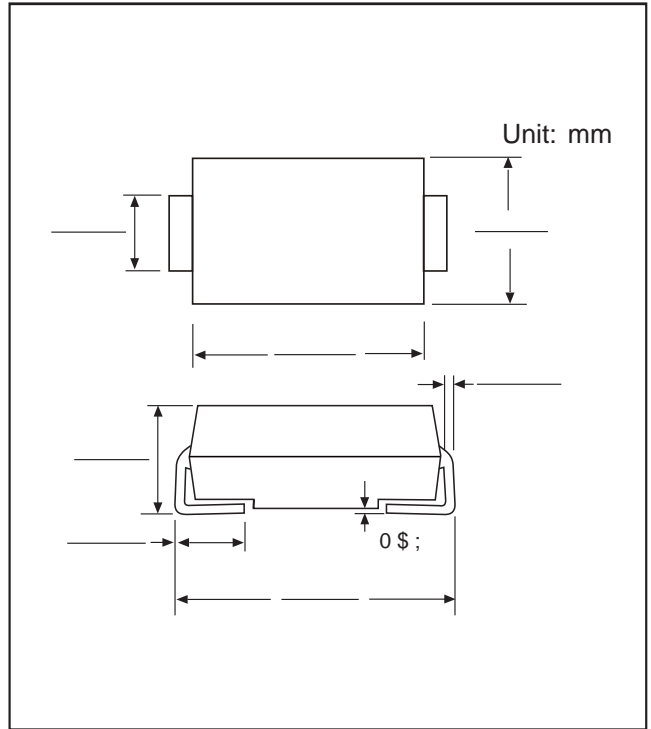


60 & 3 / \$ 6 7 6 & / , & 2 \$ (& 7 ,) , (5 6

)(\$ 7 8 5 (6
 "Plastic package has Underwriters Laboratory
 Flammability Classification 94V-O Utilizing
 "Metal silicon junction ,majoritycarrier conduction
 "Built-in strain relief
 "For surfacemounted applications
 "Low power loss ,high efficiency,High surge capability
 "High current capability ,Low forward voltage drop
 "For use in low voltage ,high frequency inverters, free
 wheeling and polarity protection applications
 "High temperature soldering guaranteed:260 /10 seconds
 at terminals
 "Component in accordanceto RoHS and
 WEEE (8
 0 (& + \$ 1 , & \$ / ' \$ 7 \$
 "Case: SM & molded plastic body
 "Terminals:Lead solderable per MIL-STD-750,method 2026
 "Polarity:Color band denotes cathode end



0 \$; , 0 8 0 5 \$ 7 , 1 * 6 \$ 1 ' & + \$ 5 \$ & 7 (5 , 6 7 , & 6

A.1 # f & \$ P E L H G W S H U D X Q D R H W K H U Z L W H G

^ r < z ~ 1v.fv % fvr 1v.% .iv % } r xv	g c c ^	g . #
^ r < z ~ E ^ d % } r xv	g c ^ d	g . #
^ r < z ~ U T % } t x % } r xv	g U T	g . #
^ r < z ~ F % . r . x v % . S r . u l v t % u l ^ . v % i A D F 3 F ~ : % r u l	Z g :	R - f t
	Z a r	R - f t
	g W	g . #
	Z	- R
	T [
	C I R	
	e l	
	e d x	

Notes: B. a ^ } v % f v % f v r | 1 v . % . i v % } r x v
 C. k T 3 7 ~ , ^ C % u I A F F i A F F 3 B E i B E ~ ~ : t , f f v . l f r u r . v r t
 D. ^ v r t . v u r t B ^ Y ' r C u 1 v . % . i v % } r x v 1 v E A % } #

5 \$ 7 , 1 * 6 \$ 1 ' & + \$ 5 \$ & 7 (5 , 6 7 , & & 8 5 9 (6

ch RcUIf ccV_e UVcReZ XIff cgV

WXC^ Ri Z f ^ 1 ` _ > VaVe Zg VhVR\ 1
W ch RcUIf cXVIf ccV_e



Dej aZR] Z deR_eR_V f dW ch RcU1 (JESD 68C, Meas'd)
TYRcRTeVcZdTd

WTEej aZR] kVgVcdVITYRcRTeV

