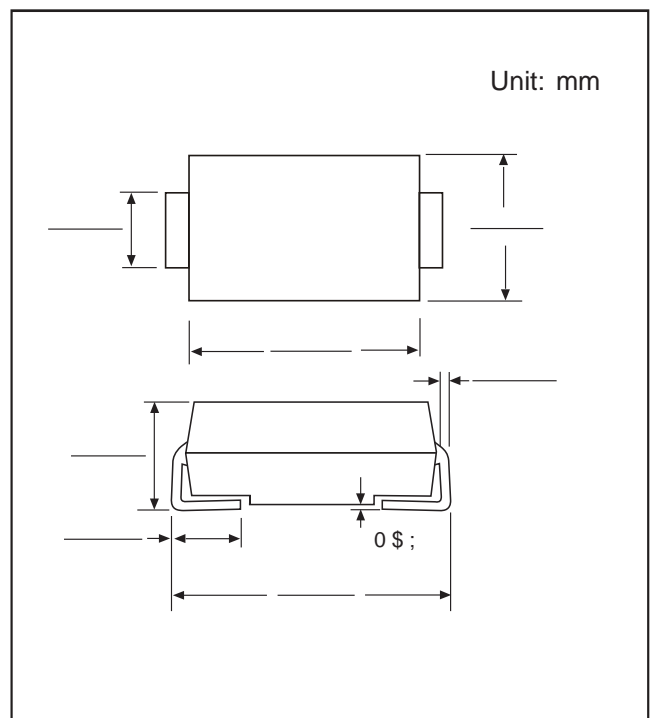


60% 3/\$67,,/&&25(&7,),(56

)( \$ 7 8 5 ( 6  
 The plastic package carries Underwriters Laboratory  
 Flammability Classification 94V-0  
 For surface mounted applications  
 Ultra fast switching for high efficiency  
 Low reverse leakage  
 Built-in strain relief,ideal for automated placement  
 High forward surge current capability  
 High temperature soldering guaranteed 250 C/10 seconds at  
 terminals  
 0 ( & + \$ 1 , & \$ / ' \$ 7 \$  
 Case: SMA/SMB molded plastic body  
 Lead:Plated axial leads, solderable per MIL-STD-750,method 2026  
 Polarity: Color band denotes cathode end  
 Mounting Position:Any



0 \$ ; , 0 8 0 5 \$ 7 , 1 \* 6 \$ 1 ' & + \$ 5 \$ & 7 ( 5 , 6 7 , & 6

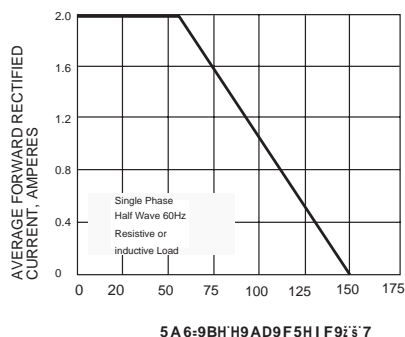
		US2A	US2B	US2D	US2G	US2J	US2K	US2M	UNITS
Maximum recurrent peak reverse voltage	$V_{RRM}$	50	100	200	400	600	800	1000	V
Maximum RMS voltage	$V_{RMS}$	35	70	140	280	420	560	700	V
Maximum DC blocking voltage	$V_{DC}$	50	100	200	400	600	800	1000	V
Maximum Average Forward Rectified Current.375"(9.5mm) Lead Length at Ta=55	$I_{F(AV)}$	2.0							A
Peak Forward Surge Current, 8.3 ms single half sine-wave superimposed on rated load (JEDEC Method)	$I_{FSM}$	50.0							A
Maximum Instantaneous Forward Voltage at 2.0A	$V_F$	1.0		1.4		1.7		V	
Maximum reverse current at rated DC blocking voltage	@T <sub>A</sub> =25	5.0							μA
	@T <sub>A</sub> =100	50.0							
Maximum reverse recovery time (Note1)	$t_{rr}$	50				75			ns
Typical junction capacitance (Note2)	$C_J$	20							pF
Typical thermal resistance(Note3)	$R_{JA}$	50							/W
Operating junction temperature range	$T_j$	- 55 ---- + 125							
Storage temperature range	$T_{STG}$	- 55 ---- + 150							

Reverse recovery condition If=0.5A,Ir=1.0A,Irr=0.25A

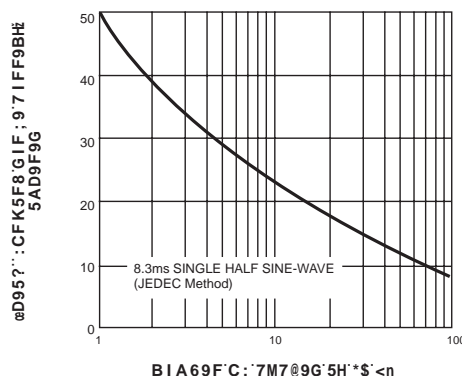
2.Measured at 1MHz and applied reverse voltage of 4.0V D.C.

3.P.C.B. mounted with 0.2x0.2" (5.0x5.0mm) copper pad areas

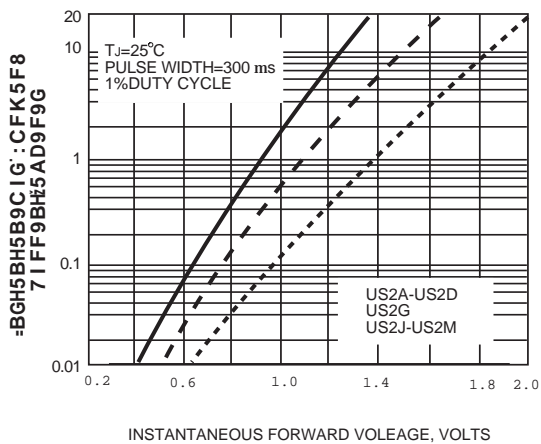
;; "%! :CFK5F8'7 IFF9BH'89F5H-B ;'7 I FJ9



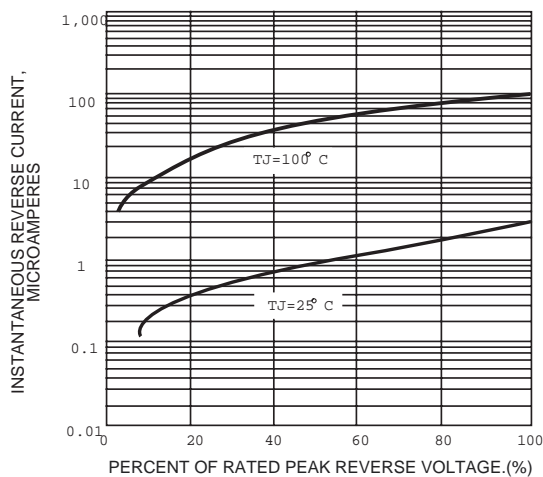
;; " &!A5L-A I A'BCB!F9D9H-H-J9' D95? :CFK5F8'G I F ;'9 7 I F F 9 B H



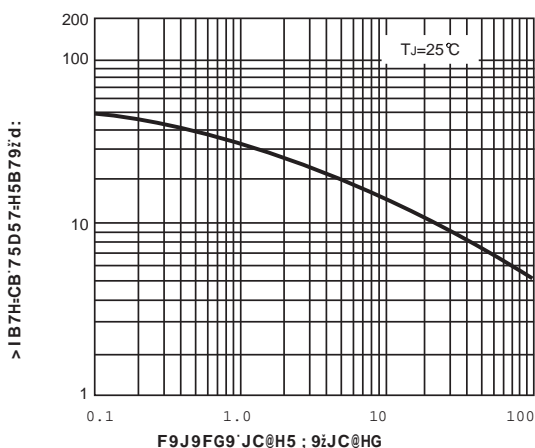
;; " ' !HMD=75@ :BGH5BH5B9C I G' :CFK5F8'7 <5F57H9F-GH=7G



;; " (!HMD=75@ F9J9FG9 7 <5F57H9F-GH=7G



;; " ) !HMD=75@ > I B7H-CB'75D57-H5B79



;; " \* !HMD=75@ HF5BG-9BH' H<9FA5@ :AD985B79

