



72 0 30DVWLF (QFDSVXODV

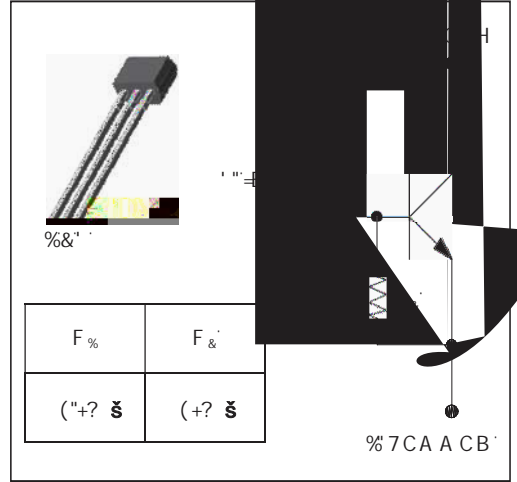
0

QVVLVW

)(\\$785(6

x:LWK EXLOW LQ ELDV UHVLVWRUV  
X

131 6LOLFRQ 7UDQVVLVWRU



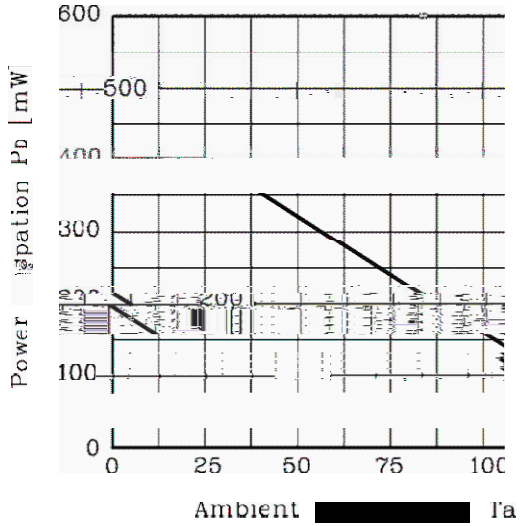
&KDUDFWHULV\WLF	6 \ P E R O	5 D W L O J
2XWSXW YROWDJH	2	9
,QSW YROWDJH	,	9
2XWSXW FXUUHQW	2	P\$
3RZHU GLVVLSDWLRQ	.	3
-XQFWLRQ WHPSHUDWXUH	-	7
6WRUDJH WHPSHUDWXUH UDQJH VWJ	-	a 7

2XWSXW YROWDJH	9 <sub>2 21</sub>	,2 P\$, , P\$							
,QSW YROWDJH 21	9 <sub>2 21</sub>	9 <sub>2</sub> 9 <sub>2</sub> P\$							9
,QSW YROWDJH 2))	9 <sub>2 2))</sub>	9 <sub>2</sub> 9 <sub>2</sub> , P\$							9
7UDQVLWLRQ IUHTXHQF\	h	9 <sub>2</sub> 9 <sub>2</sub> ,P\$ I O+ ]							O+ ]
,QSW FXUUHQW	.	9 <sub>2</sub> 9 <sub>2</sub> ,							P\$
,QSW UHVLVWRU ,QSW WR EDVH			5						.
,QSW UHVLVWRU %DVH WR FRPPRQ			5						.

&KDUDFWHULVWLF RI WUDQVVLVWRU RQO\

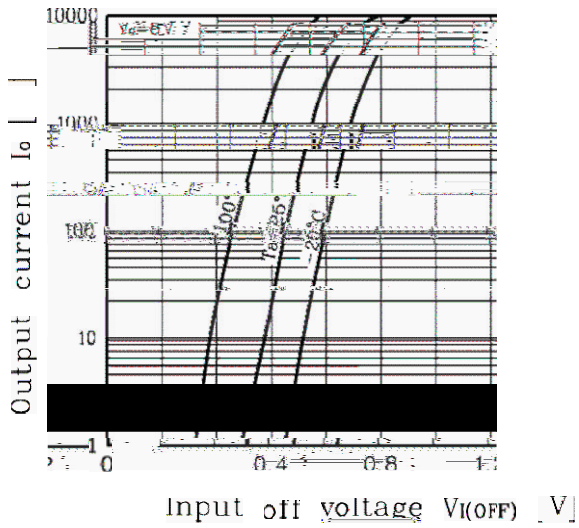
:  $P_{D8} \text{ HU}$

:  $J_{\text{CBT}}$

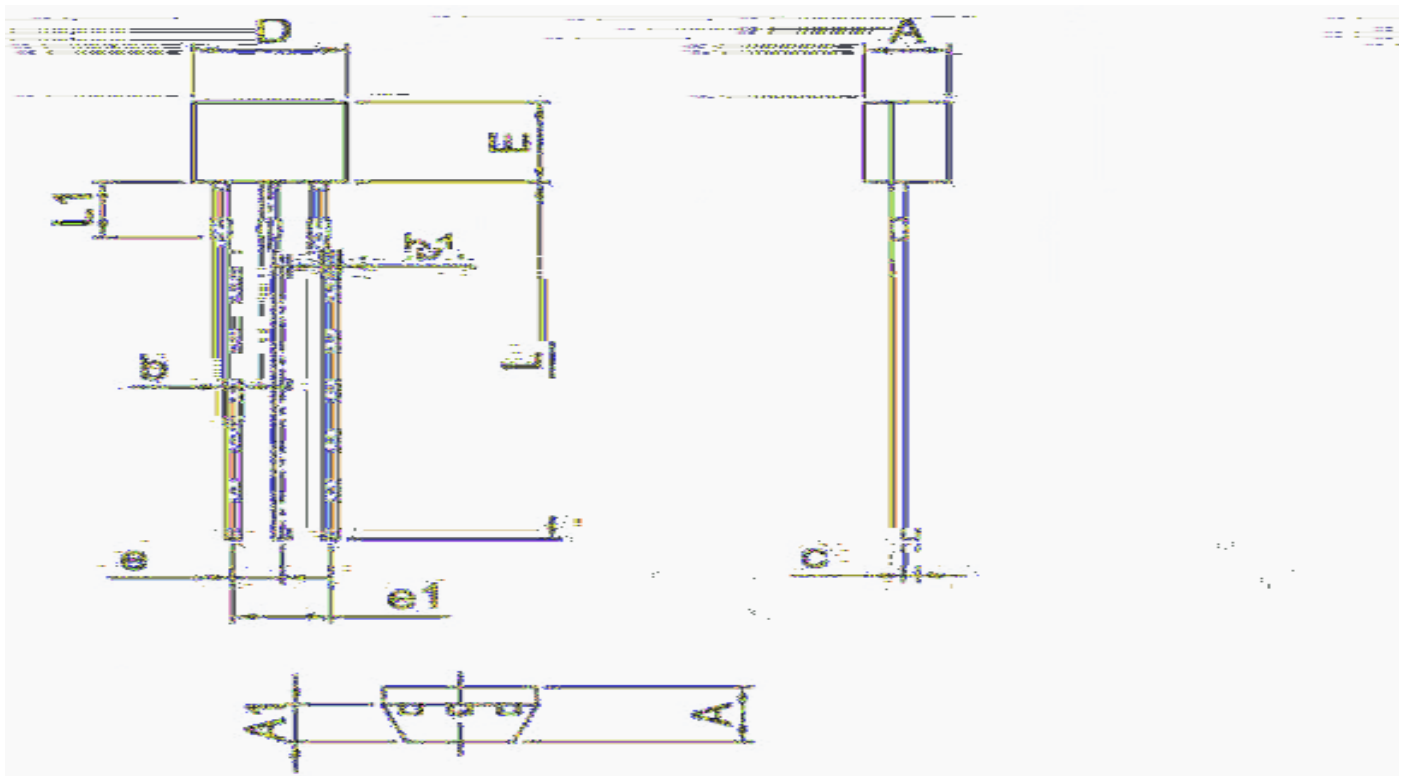


:  $J_{\text{CBT}}$

:  $J_{\text{CBT}}$



Output current  $I_o$



Symbol	Typ.	Max.	Min.
A	2.10	2.20	2.30
b	0.50	0.40	0.45
e	1.37	1.30	1.17
e1	1.30	1.70	1.70
L	13.30	13.80	12.80
M	2.20	2.10	2.00