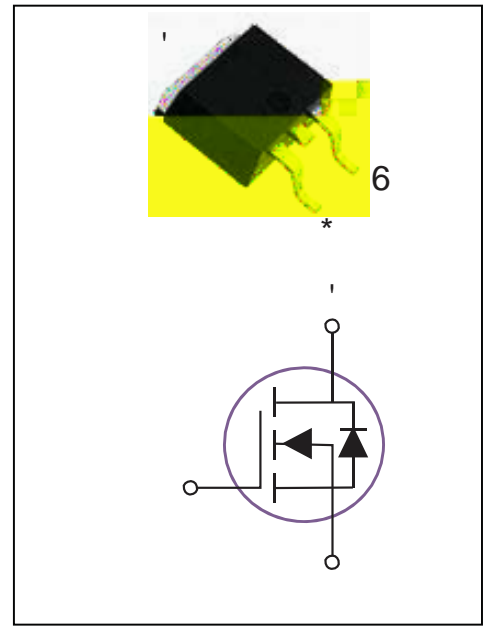


% 9'66	5'621	,'
9	Pÿ	\$



) HDWXUHV

- z 100V,12A , RDS(ON)=115m @VGS=10V
- z Improved dv/dt capability
- z Fast switching
- z 100% EAS Guaranteed
- z



9 1 &KDQQHO 0:

/'

72

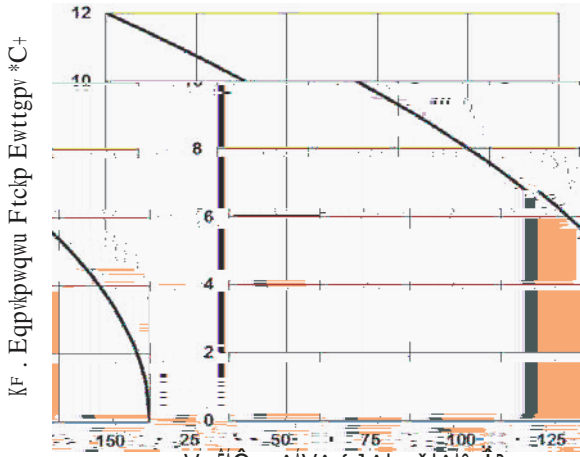
3ODVWLF (QFDSVXODWH 7UDQVLVW

3DUDPHWHU	6\PERO	&RQGLWLRQ\	0LQ	7\S	0D[8QL\
'UDLQ 6RXUFH %UHDNGRZQ 9RQW DJH 9 , X\$						9
% 9_6 7HPSHUDWXUH &RHILFL% 9_6 W 7- 5HIHUHQFH WRP\$						9
'UDLQ 6RXUFH /HDNDJH &XUUHQW	9_6	9	9_6	9	7	X\$
*DWH 6RXUFH /HDNDJH &XUUHQW	9_6	9	9_6	9	7	X\$
	9_6	s	9	9_6	9	

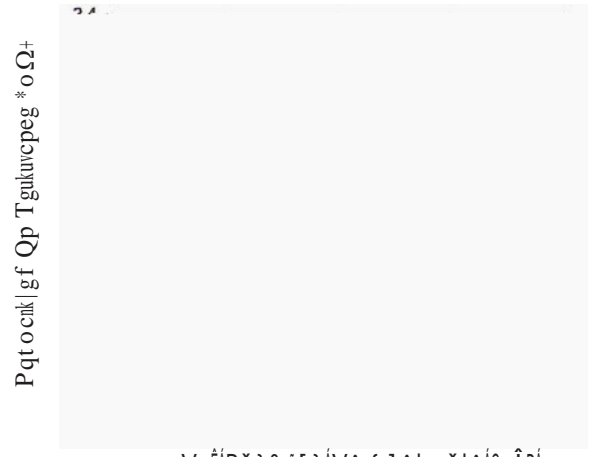


/'

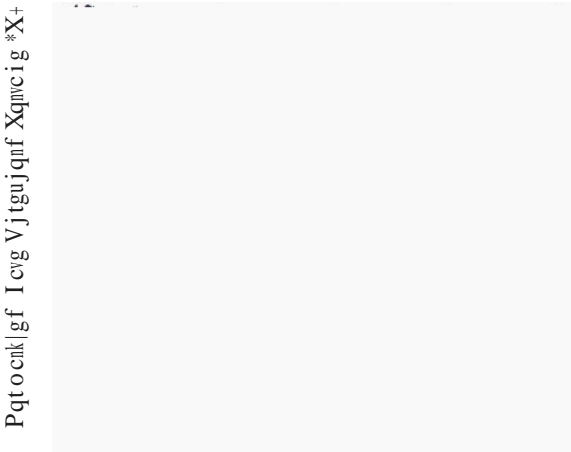
5 \$ 7 , 1 * 6 \$ 1 ' & + \$ 5 \$ & 7 (5 , 6 7 , & & 8 5 9 (6



:][["% ' 7cbh]b i c i g '8fU]b'7 i f fYbh' jg" H_7



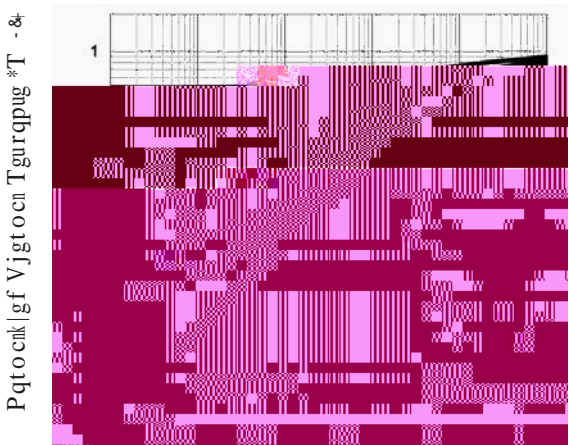
:][["&' BcfaU']nYX' F8GCB' jg" H_5



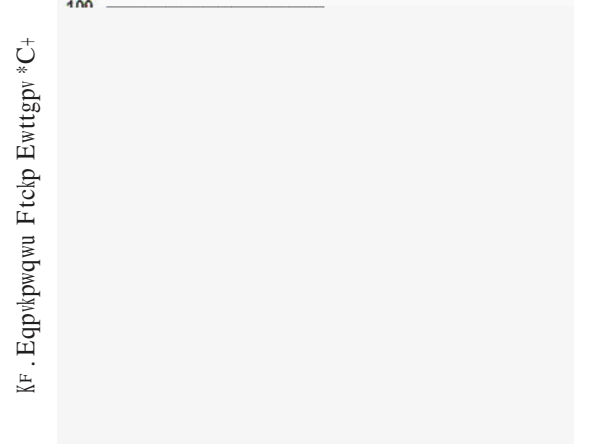
:][["' BcfaU']nYX' J_h_ jg" H_5



:][["(' ; UhY'7 \Uf [Y'KUjYZcfa



:][[") ' BcfaU']nYX' HfUbg]Ybh'= a dYXUBWY



:][["* ' AUI]a i a 'GUZY' CdYfUh]cb'5fYU



/'

72 3\$&.\$*(,1)250\$7,21

